

Installation Manual V2

Transformer



Transformer

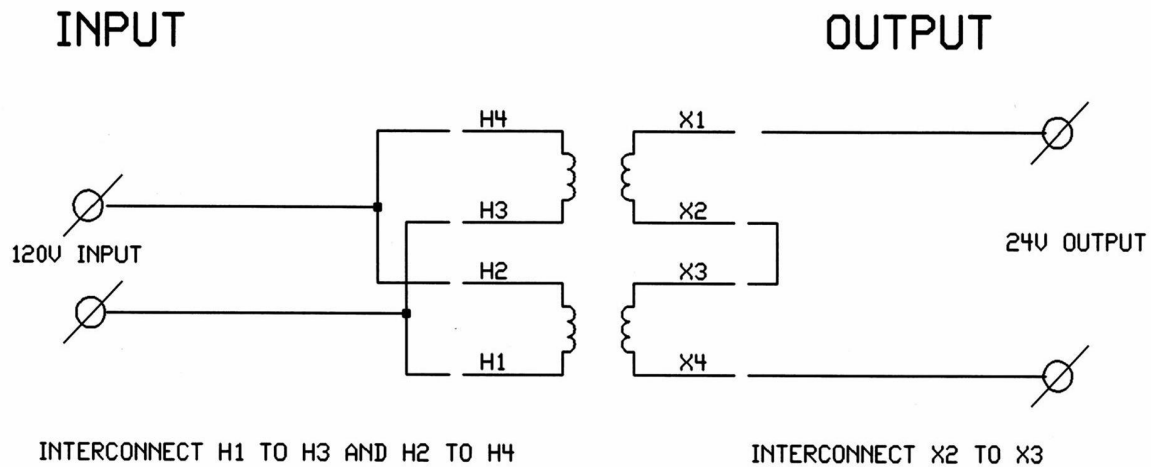
Table of Contents

Installation Instructions

Installing the Transformer 3

Installation Instructions

Installation the Transformer



1. Place the transformer in the desired position (inside rack or on wall).
2. Using the existing holes on the transformer, mark the location of the holes on the mounting surface. Remove transformer and drill.
3. Securely fasten the transformer to the mounting surface with machine screws or nuts and bolts.
4. Connect 110V neutral input to wires H1 and H3. (see diagram above)
5. Connect power input to wires H2 and H4. (see diagram above)
6. Connect transformer output wire # X4 for 24V neutral
7. Connect transformer output wire # X1 for 24V power
8. Connect transformer wires X2 and X3 together with wire nuts.