

Flag Mount Housing for Round Clocks (V1.4)

Features:

- Provides an alternative setup option for a single round analog clock.
- Same mount can be used for a wall or ceiling installation
- Choose from 3 adjustable positions on the pole
- ABS adapters and aluminum pole (SlimLine model only) or aluminum adapters and aluminum pole (metal clocks)
- UL, cUL listed

Dimensions:

- Black Color
- Mounting Ring Diameter (does not include clock)
 - 12" (30.4 cm) Mounting Ring:
 - Standard = 12.4" (31.5 cm)
 - SlimLine = 12.5" (31.8 cm)
 - 16" (40.6 cm) Mounting Ring:
 - Standard = 16.3" (41.4 cm)
 - SlimLine = 16.4" (41.9 cm)
- Base Width = 5.7" (14.5 cm)

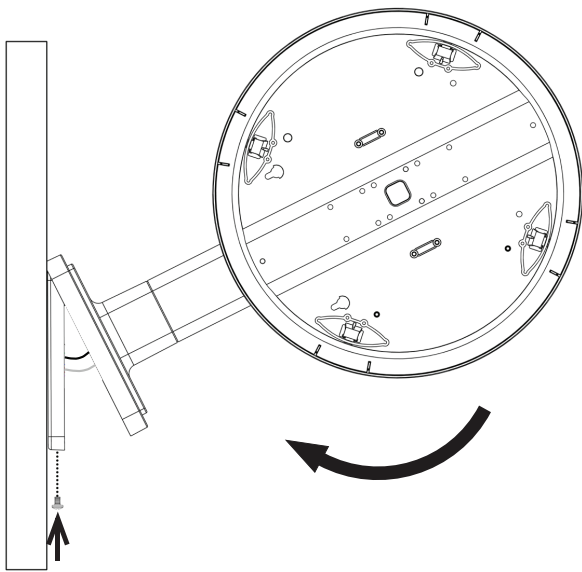


Same adapter is used for either a wall mount or ceiling mount

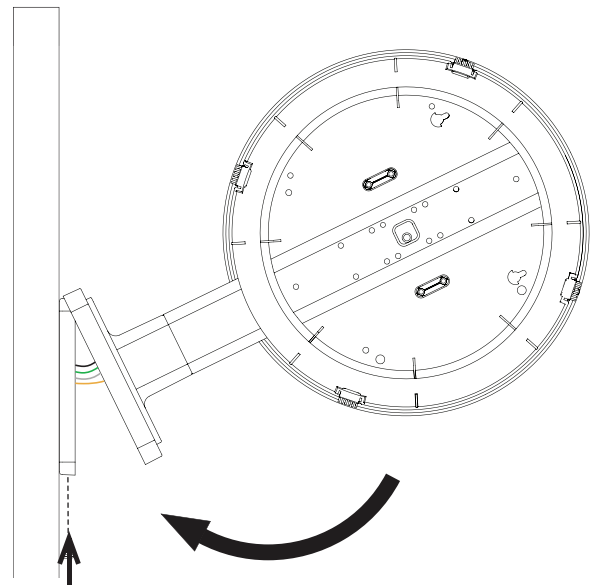
Specification sheets may change without prior notice

Flag Mount Housing for Round Clocks (V1.4)

Design:



Mounting Ring for SlimLine and Aluminum Clocks



Mounting Ring for Standard ABS & Metal Clocks

Ordering Information:

- For 12" Metal Analog Clocks:
SAB-1BD-12R-0M
- For 16" Metal Analog Clocks:
SAB-4BD-16R-0M
- For 12" SlimLine or Brushed Aluminum Analog Clocks:
SAH-1BD-12R-0
- For 16" SlimLine or Brushed Aluminum Analog Clocks:
SAH-1BD-16R-0

Specification sheets may change without prior notice