

## Flag Mount Housing for Round Clocks (V1.3)

### Features:

- Provides an alternative setup option for a single round analog clock.
- Same mount can be used for a wall or ceiling installation
- Choose from 3 adjustable positions on the pole
- Aluminum pole, aluminum or ABS housing
- UL, cUL listed

### Dimensions:

- Black Color
- Mounting Ring Diameter (does not include clock)
  - 12" (30.4 cm) Mounting Ring:
    - Standard = 12.4" (31.5 cm)
  - 16" (40.6 cm) Mounting Ring:
    - Standard = 16.3" (41.4 cm)
- Base Width = 5.7" (14.5 cm)
- Base Height = 6.6" (16.7 cm)



Same adapter is used for either a wall mount or ceiling mount

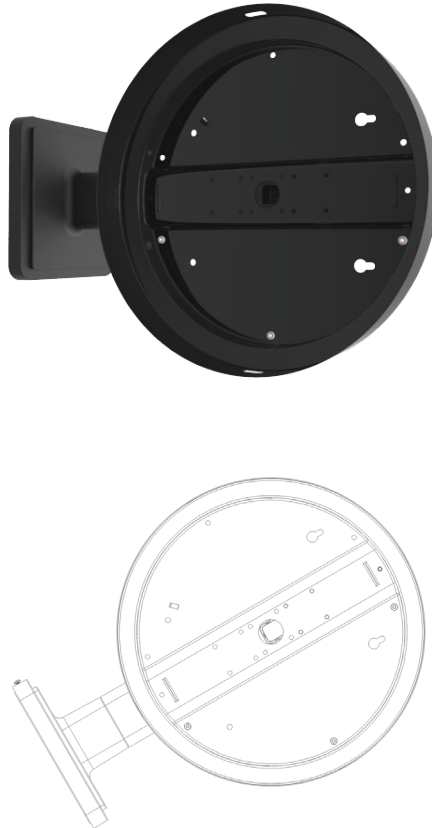
Specification sheets may change without prior notice

# Flag Mount Housing for Round Clocks (V1.3)

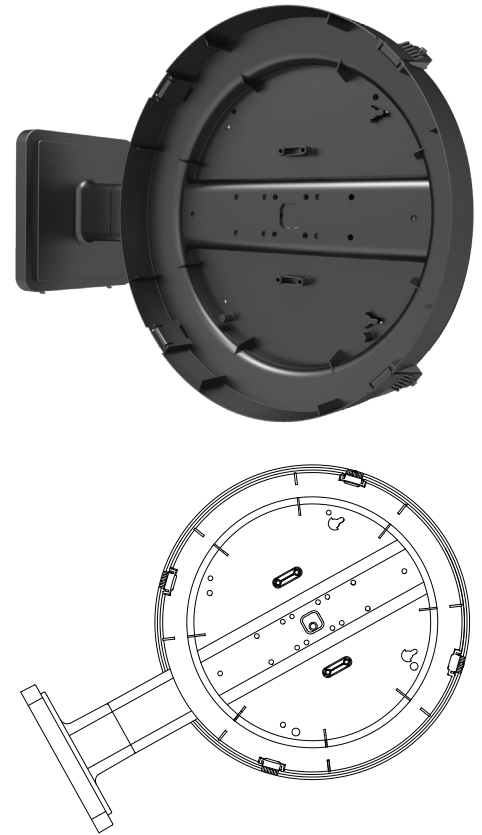
## Design:



Mounting Ring for SlimLine and Aluminum Rim Clocks



Metal Mounting Ring for 12" Metal Clocks



ABS Mounting Ring for 16" Metal Clocks

## Ordering Information:

Mounting Ring : A-XXX-MOUNT-XXS-X

Adapter Type:  
 MTL: Metal  
 SLM: SlimLine / Aluminum  
 \_\_\_: ABS (16" Metal Clocks Only)

Clock Size:  
 12: 12"  
 16: 16"

Type:  
 2: 16" Metal Clocks  
 0: All others

Pole: SAB-4XD-00S-0M

Color:  
 B: Black  
 C: Custom

**Note:** Purchasing a flag-mounted round analog clock requires one clock and one of each part number listed above. A Mounting Ring and Pole MUST be ordered together for Flag Mount applications.

Examples:

- A-MTL-MOUNT-12S-0
- A-MOUNT-16S-2
- A-SLM-MOUNT-12S-0
- A-SLM-MOUNT-16S-0
- SAB-4BD-00S-0

- Sapling Metal Mounting Ring for 12" Metal Clocks
- Sapling Metal Mounting Ring for 16" Metal Clocks
- Sapling Mounting Ring for 12" SlimLine or Aluminum Clocks
- Sapling Mounting Ring for 16" SlimLine or Aluminum Clocks
- Sapling Pole.

Specification sheets may change without prior notice