

Elapsed Timer (V1.3)

Features:

Count up:

From 00:00:00 up to 99:59:59

Count down:

Start point programmable from maximum of 99:59:59

Display format:

Hour:Minute (HH:MM) or Minute:Second (MM:SS) mode on 4 digit clocks, Hour:Minute:Second (HH:MM:SS) mode on 6 digit clocks

Functions:

Fully programmable, interchangeable buttons, green and red LED backlit buttons

Standard Configuration: Count Up, Start/Stop, Time, Count Down

Mounting:

Standard single gang box

Specifications:

Color:

White frame with gray buttons

Weight:

.15 lbs.

Dimensions: (L x W x D)

4.88" x 3.15" x 1.28" (12.4 cm x 8 cm x 3.26 cm)

Material:

High-quality ABS

Cable Length:

Up to 100 feet

Power:

Powered by the Digital Clock

Ordering Information:

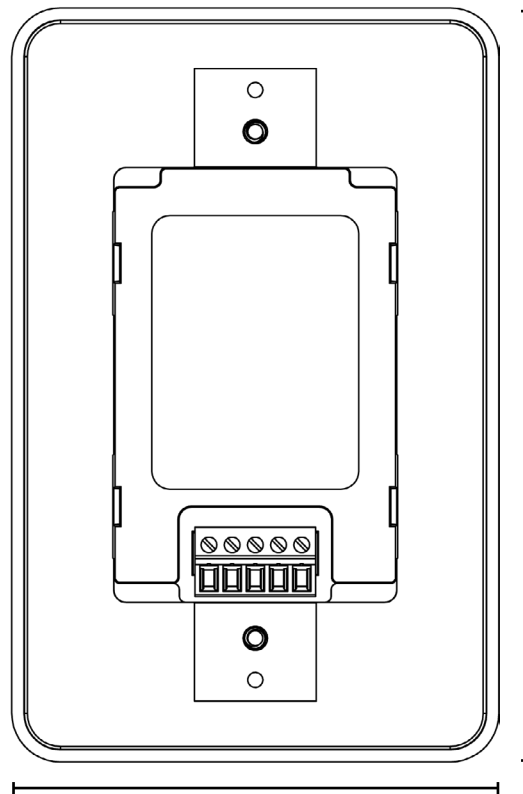
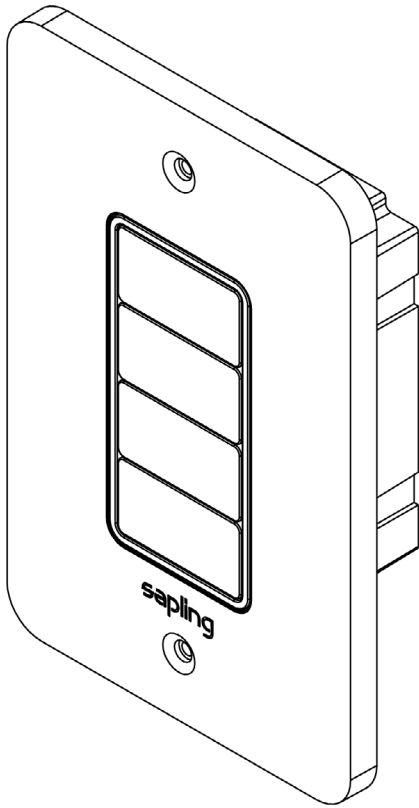
Standard: SBD-ELT-001-0

Extra buttons: SBD-ELT-BUT-0



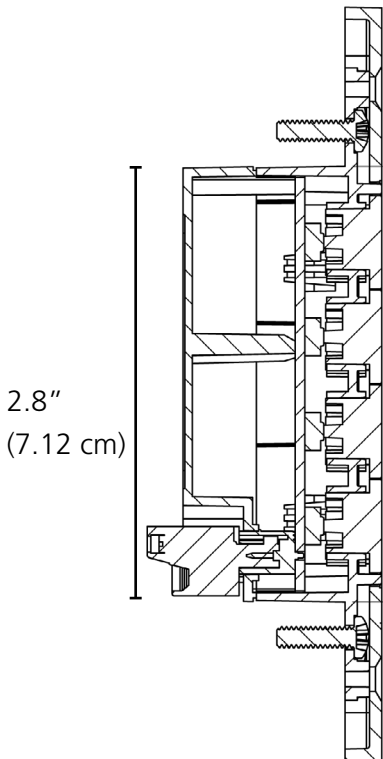
specification sheets may change without prior notice

Elapsed Timer (V1.3)

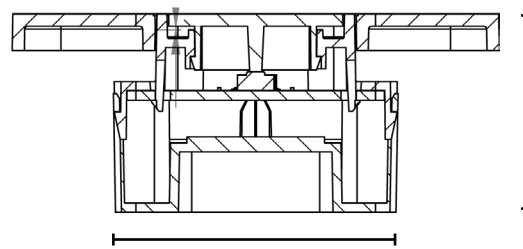


4.88" (12.4 cm)

3.15" (8 cm)



2.8" (7.12 cm)



1.28" (3.26 cm)

1.75" (4.45 cm)

specification sheets may change without prior notice