

Sapling Anti-Ligature Accessory Solutions - V1.3

For Digital Clocks: (scroll to next page for analog clock solution)

Features

- Protective polycarbonate frame for flush mounted digital clocks
- Durable and anti-ligature design provides an added layer of protection
- Compatible with Sapling SBP IP-PoE digital clocks and Sapling SBD digital wired clocks

Mounting

The frame is designed to be secured to both the clock flush mounted metal gang box as well as to the facility's wall. Securing the frame is done by screwing in *torx screws.

*Torx screws are provided along with the kit and are meant for sheet rock walls. If the frame is to be installed on a different type of wall, the installer should provide the fasteners that are compatible with the type of wall.

Specifications

Color of Frame:

Red for clocks with a red display

Gray for clocks with a white, green, or amber display

Dimensions (L x D x H):

For a 2.5 in (63.5 mm), 4-digit flush mounted display: **A - B:** 11.61 in (295 mm) **C - D:** 5.67 in (144 mm)

For a 2.5 in (63.5 mm), 6-digit flush mounted display: **A - B:** 14.96 in (380 mm) **C - D:** 5.67 in (144 mm)

For a 4.0 in (101.6 mm), 4-digit flush mounted display: **A - B:** 13.78 in (350 mm) **C - D:** 7.48 in (190 mm)

For a 4.0 in (101.6 mm), 6-digit flush mounted display: **A - B:** 19.17 in (487 mm) **C - D:** 7.87 in (200 mm)

Material:

Polycarbonate

Shape:

Rectangular

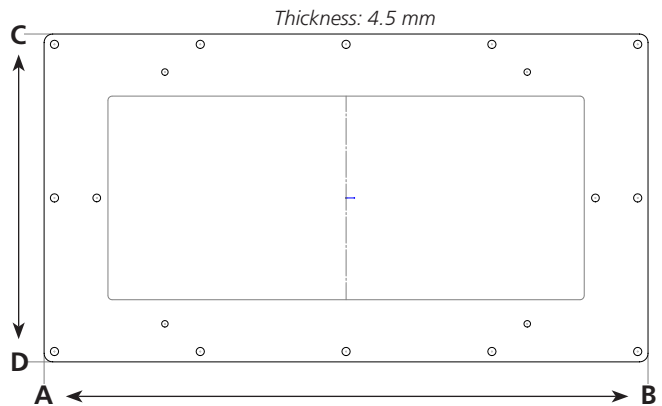
*Ordering Information

Digital Flush Mounted Polycarbonate Frame: **D-XXX-FIL-XXX-F-KIT-1**

***Must be ordered with a Sapling Digital SBP or SBD Clock**

Color:	Size:
RED: red filter for red displays	254: 2.5" 4 digits
GRY: gray filter for white, green, or amber displays	256: 2.5" 6 digits
	404: 4.0" 4 digits
	406: 4.0" 6 digits

Specification sheets may change without prior notice



Sapling Anti-Ligature Accessory Solutions

For 12" Square Analog Clocks:

Features

- Flush mounted (inside the wall) enclosure with a polycarbonate front frame for Sapling 12" Square Clocks
- Durable and anti-ligature design provides an added layer of protection
- Compatible with Sapling 12" Square SAM wired clocks, SAL(G) wireless clocks, SAP IP-PoE clocks, and SAW Wi-Fi clocks

Mounting

The flush mounted (inside the wall) enclosure is designed to accommodate a Sapling 12" Square Clock. Enclosure is secured inside the facility's wall and to the front polycarbonate frame. Securing the front frame is done by screwing in torx screws.

**Black torx screws are provided along with the kit and are meant for sheet rock walls. If the frame is to be installed on a different type of wall, the installer should provide the torx screws that are compatible with the type of wall.*

Specifications

Front Polycarbonate Frame Dimensions (L1 x D1 x H1):

L1: 16.61 in (422 mm) x **D1:** 0.177 in (4.5 mm) x **H1:** 16.5 in (419 mm)

Flush Mounted Enclosure Dimensions (L2 x D2 x H2):

L2: 14.65 in (372 mm) x **D2:** 3.6 in (91.5 mm) x **H2:** 14.5 in (369 mm)

Distance between keyholes (**K**): 9 in (228.6 mm)

Flush Mounted Enclosure Material:

ABS flame-retardant polymer

Front Polycarbonate Frame Material:

Polycarbonate

Shape:

Square

*Ordering Information

Sapling Flush Mount Housing Kit for a 12" Square Clock:

A-FLUSH-MNT-12S-KIT-1

**Must be ordered with a Sapling 12" Square Clock*

