



MASTER CLOCK PROGRAMMABLE RELAYS FOR BELL SYSTEM INTERFACE 115VAC

SMA Series Master Clock

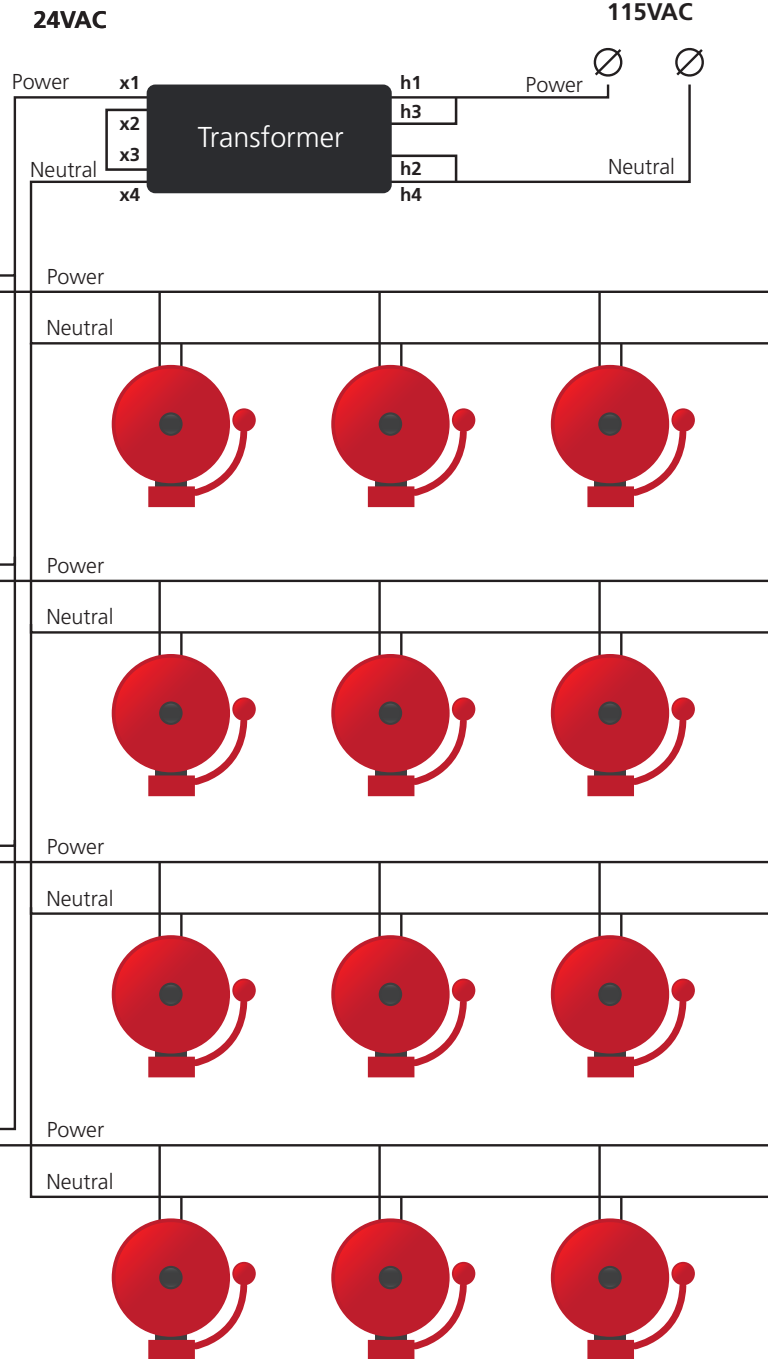


Relay 1	
Normally Open	Common
30	29

Relay 2	
Normally Open	Common
33	32

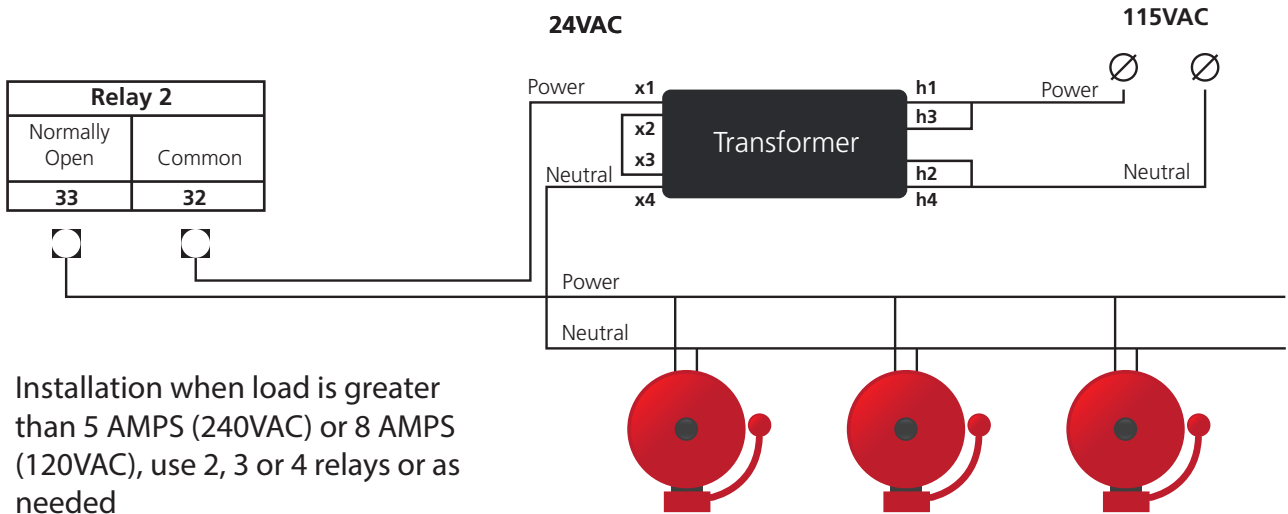
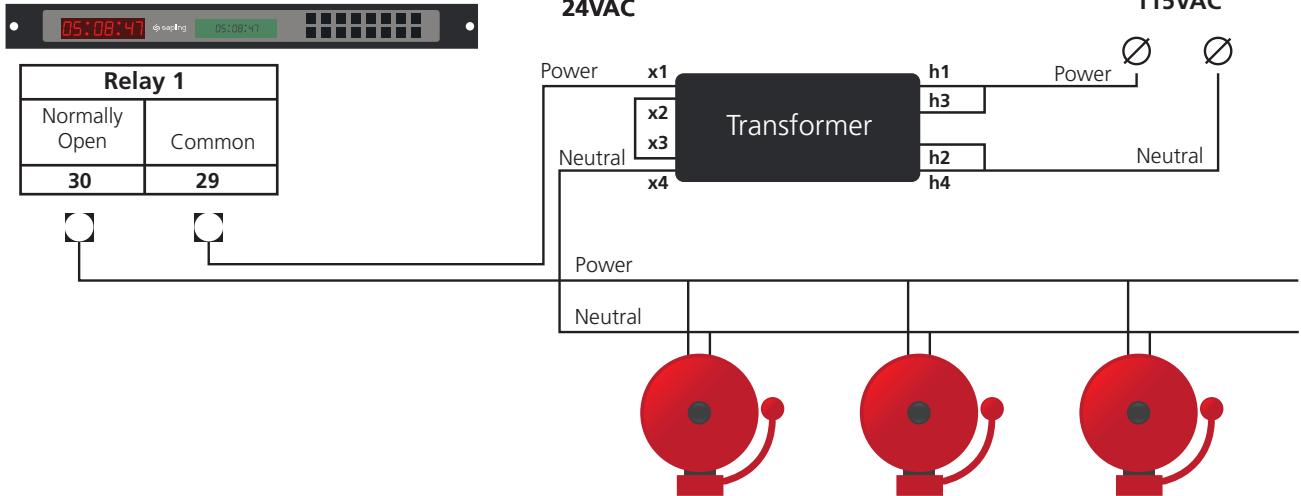
Relay 3	
Normally Open	Common
36	35

Relay 4	
Normally Open	Common
39	38



Installation when load is less than 5 AMPS (240VAC) or 8 AMPS (120VAC)

SMA Series Master Clock



Installation when load is greater than 5 AMPS (240VAC) or 8 AMPS (120VAC), use 2, 3 or 4 relays or as needed

- ⚡ Sapling Master Clock is offered with either 4, 8, or no programmable relays
- ⚡ Each programmable relay max load is up to 8 AMPS at 120VAC or 5 AMPS at 240VAC
- ⚡ If the current load is, or close to 5 AMPS (240VAC) or 8 AMPS (120VAC) it is better to distribute current consumption between more than one relay
- ⚡ If the load is greater than 5 AMPS (240VAC) or 8 AMPS (120VAC), use 2 relays or as needed

- 35-M015 Power Transformer, .15KVA Output Power
- 35-M020 Power Transformer, .25KVA Output Power
- 35-M025 Power Transformer, .50KVA Output Power
- 35-M030 Power Transformer, .75KVA Output Power